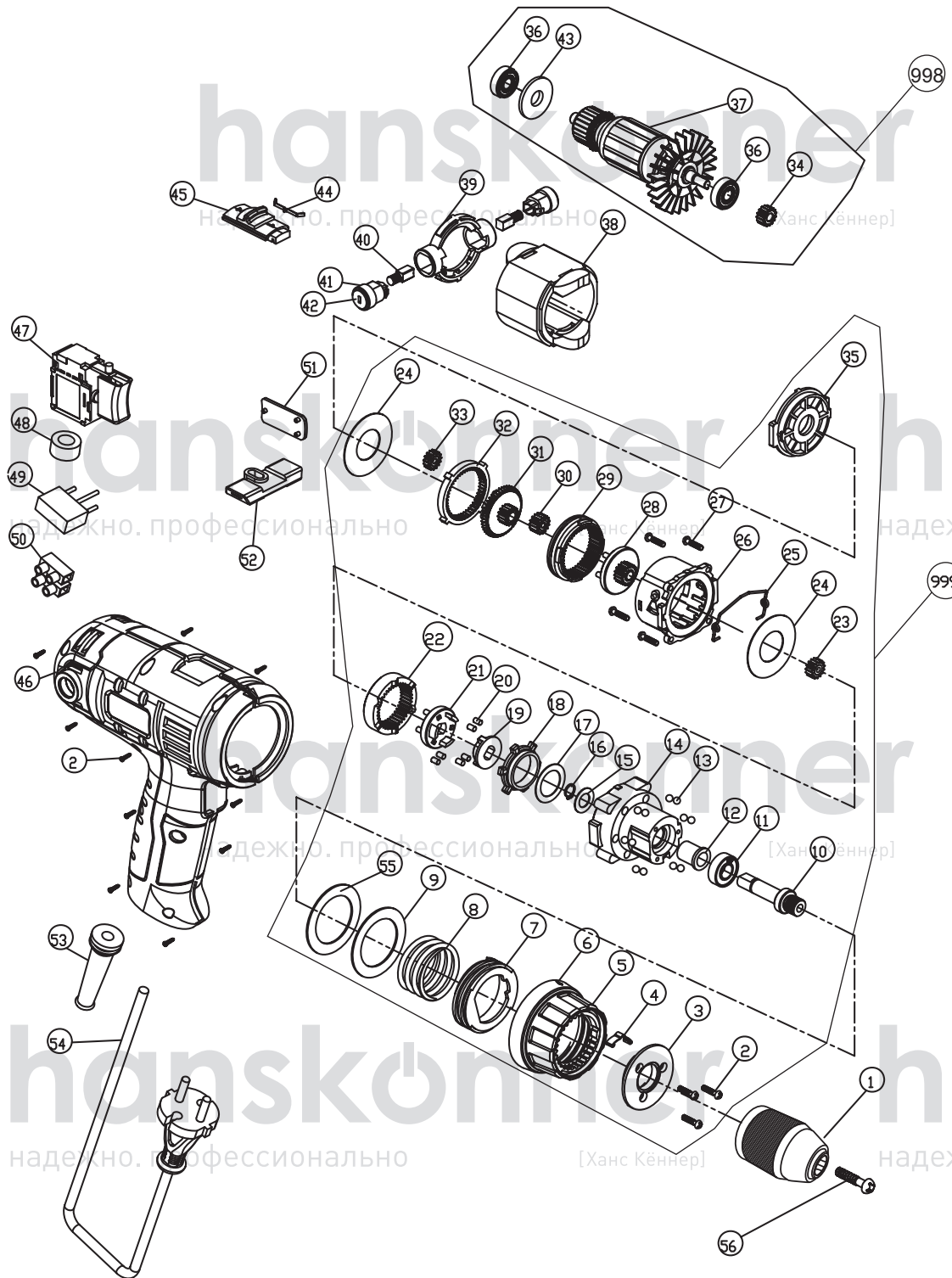


hanskonner

надежно. профессионально

[Ханс Кённер]

HID2145P



NO.	DESCRIPTION	NO.	DESCRIPTION
1	KEYLESS CHUCK	30	LEVEL 2 PLANETARY GEAR
2	ST2.9*18 SCREW	31	LEVER 1 PLANETARY GEAR
3	CLAMP OF ADJUSTMENT PLATE	32	FIXED GEAR RING
4	POSITIONING REED	33	LEVEL 1 PLANETARY GEAR
5	ADJUSTMENT PLATE	34	MOTOR GEAR
6	OUTER RING OF ADJUSTMENT PLATE	35	MOTOR FLANGE
7	INTERNAL SCREW SLEEVE	36	BALL BEARING 607Z
8	BIG SPRING	37	ROTOR
9	WASHER 0.8MM	38	STATOR
10	SPINDLE	39	CARBON BRUSH HOLDER
11	BALL BEARING 699Z	40	CARBON BRUSH
12	SHAFT SLEEVE	41	BRUSH HOLDER
13	STEEL BALL Ø 5	42	BRUSH CAP
14	GEAR CASE	43	INSULATING BARRIER
15	WASHER	44	SPEED REED
16	CIRCLIP 8MM	45	SPEED PUSH BUTTON
17	SPACER(3)	46	HOUSING ASSEMBLY
18	FIXED RING	47	SWITCH
19	DRIVING DISC	48	INDUCTANCE
20	KINGPIN Ø 3*4.8	49	CAPACITOR
21	LEVEL 3 PLANET CARRIER	50	TERMINAL BLOCK
22	INNER GEAR RING	51	DECORATIVE SHEET
23	LEVEL 3 PLANETARY GEAR	52	DIRECTION SETTING BUTTON
24	CLAMP	53	CABLE SHIELD
25	HOOK	54	VDE PLUG CORD
26	SPEED CHANGING BOX	55	WASHER 0.5MM
27	ST2.9*14 SCREW	56	CHUCK SCREW
28	LEVEL 2 PLANET CARRIER	998	ROTOR ASSEMBLY
29	DYNAMIC GEAR RING	999	GEAR BOX ASSEMBLY

RU-HK20170712